

Some **Ideas** for building your Trolley (Courtesy of Nelson Trolley Club) the plans should be read in conjunction with the 'Trolley Design Advice' on the Rotary website

Kids one, easy to build, cheap, entry level trolley for young kids, not meant to be a speedster but fun.

This is a "ONE design" trolley built almost entirely from a single sheet of 12 mm construction plywood.

This will be a great project for you and your kid and will get them interested in the Derby and some basic construction techniques.



Prototype



Rear view showing "parental hand hold" (a very handy feature!)



Side view show wheels - caster wheels from a wheel chair - or you can use buggy wheels but nothing over 300mm in diameter. The smaller the wheels the slower it goes particularly on grass. For further guidelines check out 'Trolley Design Advice' on the Pohutukawa Coast Rotary website



The components ready to assemble

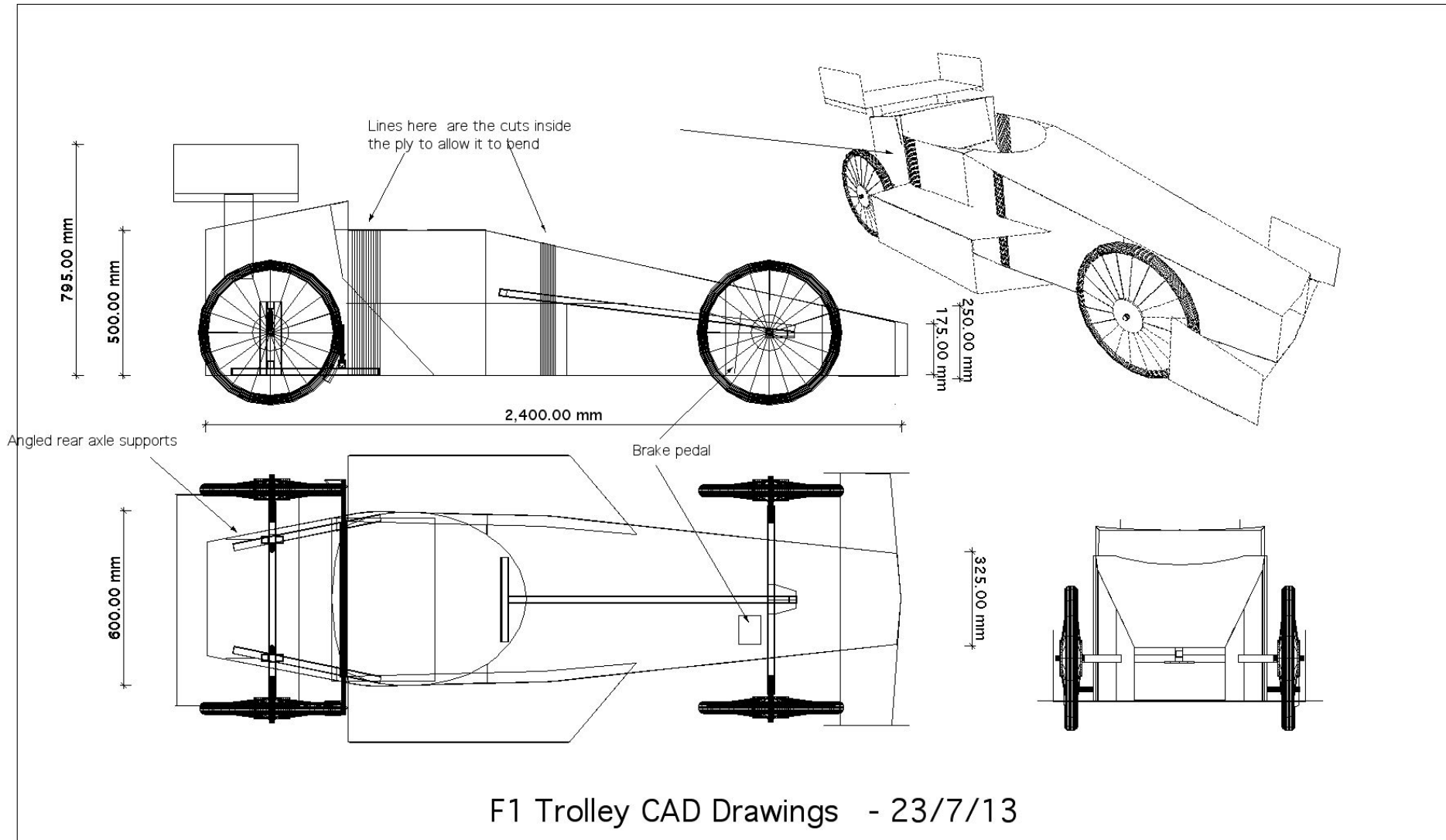
Build Session One
[CLICK HERE](#)

Build Session Two
[CLICK HERE](#)

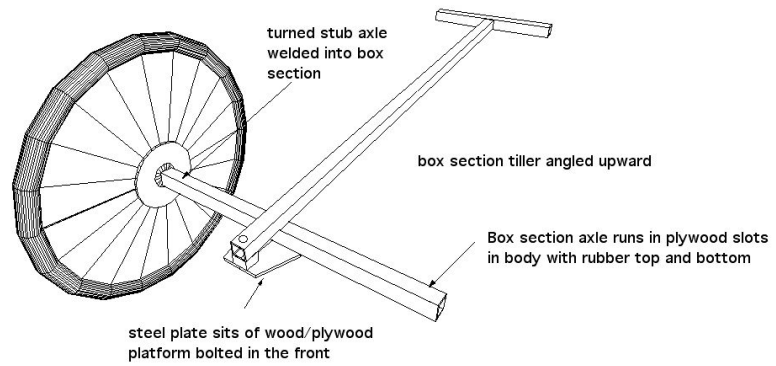
Build Session Three
[CLICK HERE](#)

For a PDF copy of ALL the Build sessions [CLICK HERE](#)

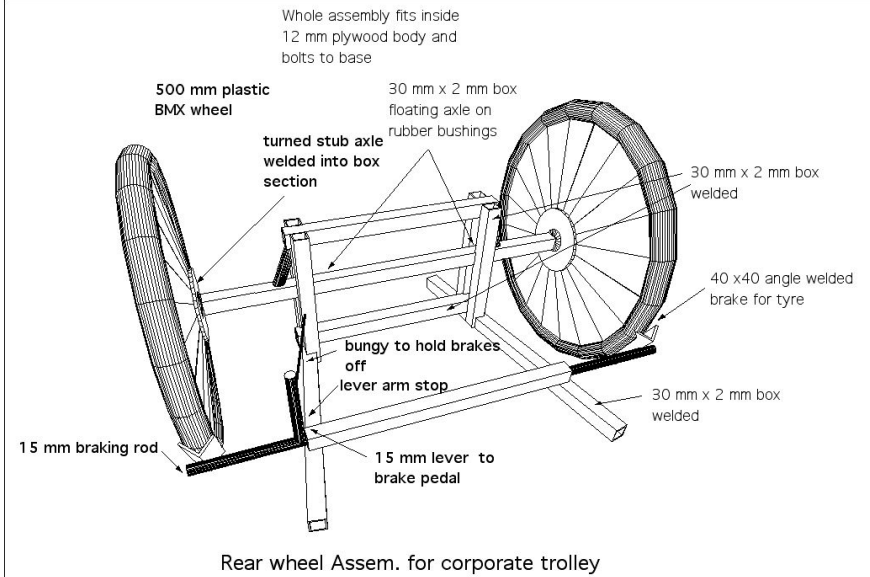
F1 Racer (fast and furious)



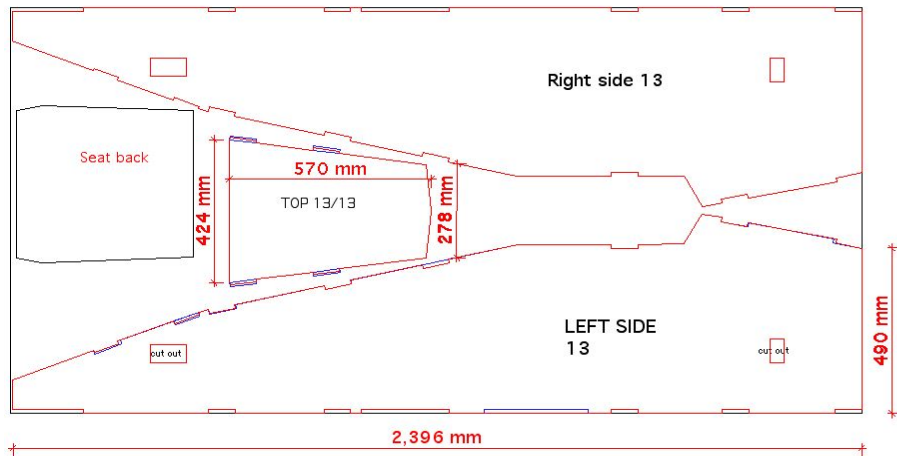
F1 Trolley CAD Drawings - 23/7/13



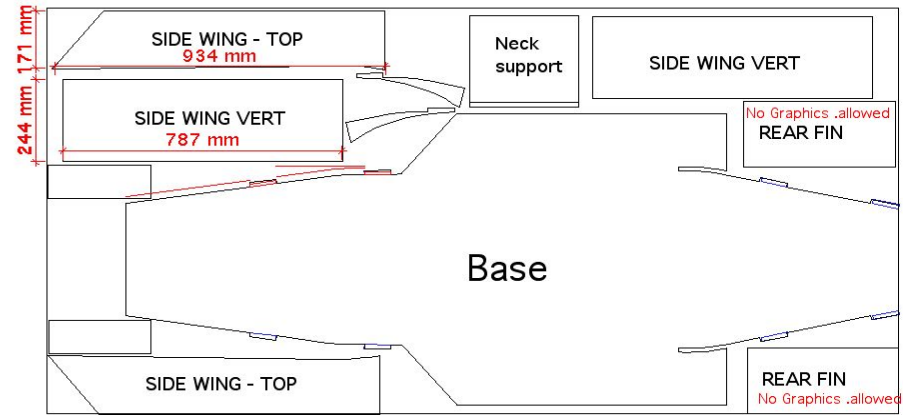
Front steering Assem. for corporate trolley



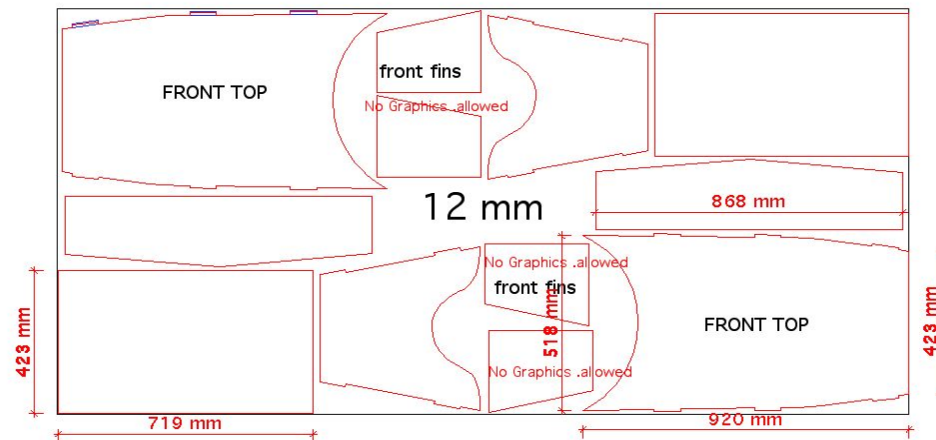
Rear wheel Assem. for corporate trolley



Plywood cutouts with solid sides and top #1



Plywood cutouts with solid base and wings #2



Plywood cutouts with solid base and wings #3

